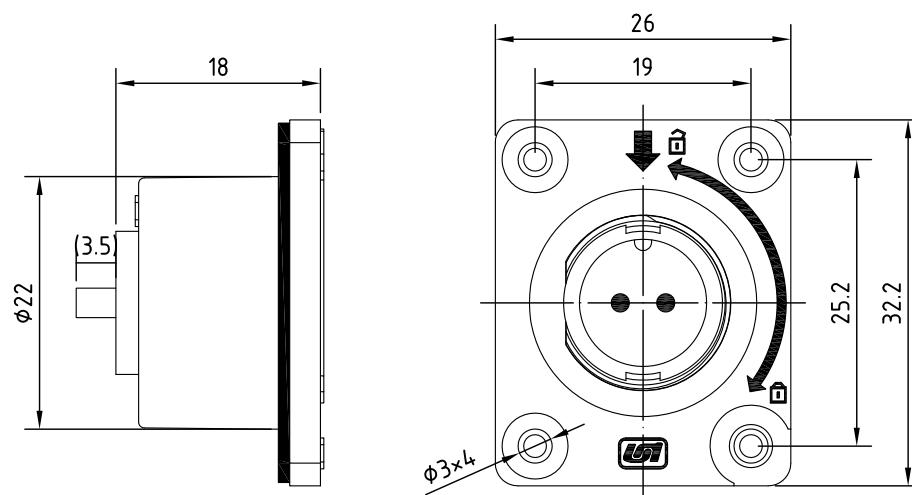


REV.	Description	Date
1	upgrade drawing	2014/3/24
2	was $\phi 3 \times 2$ is $\phi 3 \times 4$	2020/5/19



Specification of connector

Locking system : Twist Lock
 Termination : solder
 Shell protection : IP68
 Contact resistance : $\leq 10\text{m}\Omega$
 Insulation resistance : $\geq 10\text{M}\Omega$

RoHS
TOLERANCE $X \pm 0.5$. $X \pm 0.3$

CONTACT ARRANGEMENT FRONT VIEW (MALE)								
	2P	3P	4AP					
Rated voltage	250V							
Rated current	10A							
CONTACT ARRANGEMENT FRONT VIEW (MALE)								
	4BP	5P	6P	7P	8P	10P	12P	
Rated voltage	250V		125V			60V		
Rated current			5A			2A		

4	Pad	Rubber
3	Pin	Brass/Gold plated
2	Body	PA
1	Cover	PA
Item	Description	Material&Plating



Unicable Co., Ltd. 國陽電業有限公司

5F., No. 111-33, Sec. 4, San Ho Road., San Chung Dist., New Taipei City, Taiwan
<http://www.unicable.com.tw> Tel:+886-2-2286-2122 Fax:+886-2-2286-1010

DATE	2020/5/19	PART NO.	UT-SD210F3S-XP
DWN	GINA	REV.	2
CHK			
UNIT	MM		

ITEM	Sensor Connector M15.5
------	------------------------